



111 Greenwood Road, Blue Lake, CA 95525 * 707-668-5655 * www.bluelake.ca.gov

City of Blue Lake-PAINT-A-HYDRANT Application

To sponsor, design and paint a hydrant in the City of Blue Lake, submit the completed application, and a color sketch on the provided template.

APPLICATION(S) DUE BY: 4 PM-September 30th

Contact Information

Name of Adoptee:	
Contact Name:	
Mailing Address:	
City, State, Zip:	
Phone:	
Email Address:	

Preferred Hydrant Location - Provide Nearest Physical Address, Including Cross Streets

1st: _____ 2nd: _____ 3rd: _____

Additional Location Description:

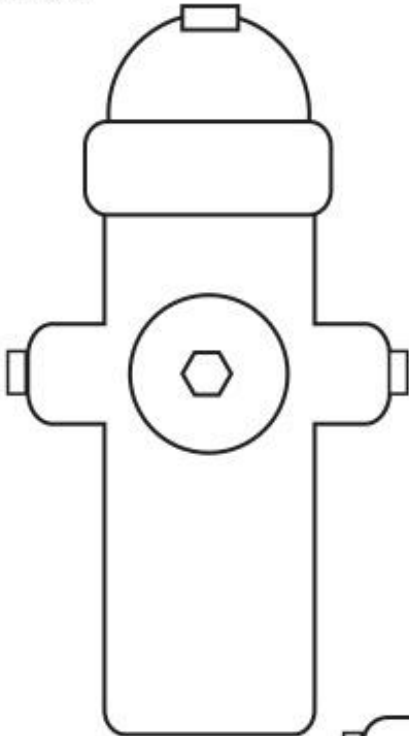
Attach sketch (in color) on provided template. If you would like to sponsor a hydrant, but need assistance in designing or painting your hydrant, you may partner with an artist, school or group to develop and execute the design. You are responsible for contacting and selecting your art partner; however, we can assist with suggesting possible art partners. If your submitted design is not initially approved, changes may be made to meet the guidelines.

COMPLETED Applications are due by 4PM on September 30th.
Please return the completed application(s) to Blue Lake City Hall.

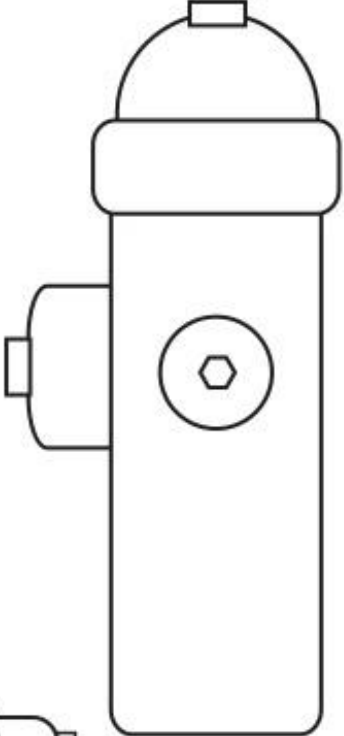
City of Blue Lake-Hydrant Art Submission

Please provide a color sketch of your proposed project; please refer to the rules and regulations regarding paint colors and designs as provided in the application agreement.

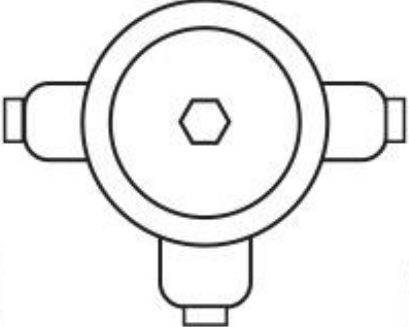
Front View



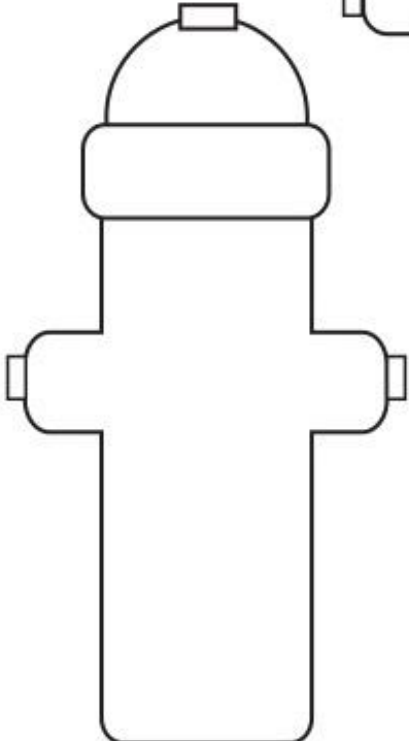
Right side view



Top View



Back View



Left side view

